



DNH

HEAD OFFICE, NORWAY
DNH AS

Phone..... + 47 35 98 56 00
Fax..... + 47 35 98 56 10
E-mail..... dnh@dnh.no
Web-Site..... www.dnh.no

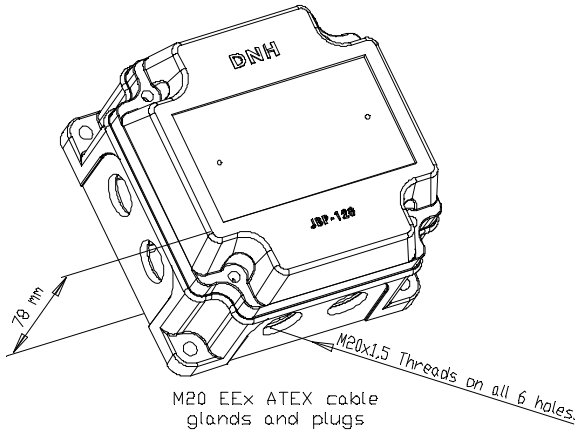
ENGLAND
DNH WW Ltd
Phone..... + 44 1908 275 000
Fax..... + 44 1908 275 100
E-mail..... dnh@dnh.co.uk

GERMANY
DNH GmbH
Phone... + 49 040 6569 30-0
Fax..... + 49 040 6569 30-30
E-mail..... dnh@dnh.de

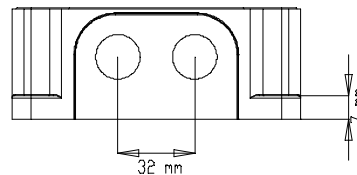
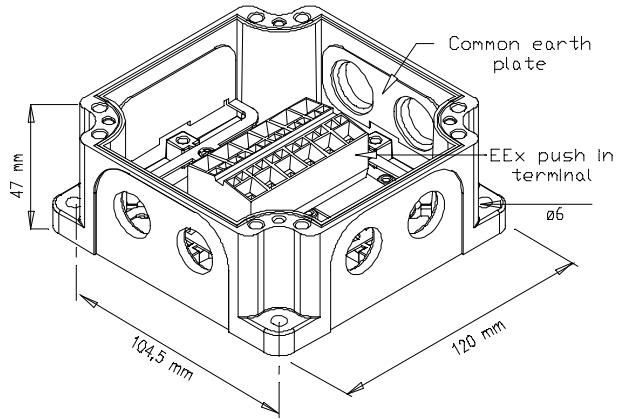
USA
DNH Speakers Inc
Phone..... + 1 484 494 5790
Fax..... + 1 484 494 5793
E-mail..... dnh@dnhspeakers.com

JBP-120EExeN

ISO 9001 CERTIFIED



M20 EEx ATEX cable glands and plugs



Certified by/ Certification code / Number : NEMKO / Ex e IIC T6 Gb/ 12ATEX1207X

| Specifications | |
|-----------------------|--------------------------------|
| Material / Color | Antistatic PA/ Black |
| Mounting | 4 screws |
| Termination | Wago 264 terminal /earth plate |
| Weight | 0,4 kg |
| IP-rating | 67 |
| Max. / min. amb. temp | -50°C ≤ Ta ≤ +50°C |

Installation, Operation and Maintenance Procedures

- Screw the box to the wall or ceiling with 2-4 screws.
- JBP-120 has 6 entries, and is delivered with 3 pieces M-20EExe ATEX cable glands and 4 pieces M-20EExe ATEX blind plugs.
- Fasten lid with four screws approximately 1 Nm.
- JBP-120EExeN is delivered with Wago terminal 264 with max 2,5 mm².
- JBP-120EExeN has a 2 year warranty against defective workmanship.

DNH reserves the right to alter specifications without notice

